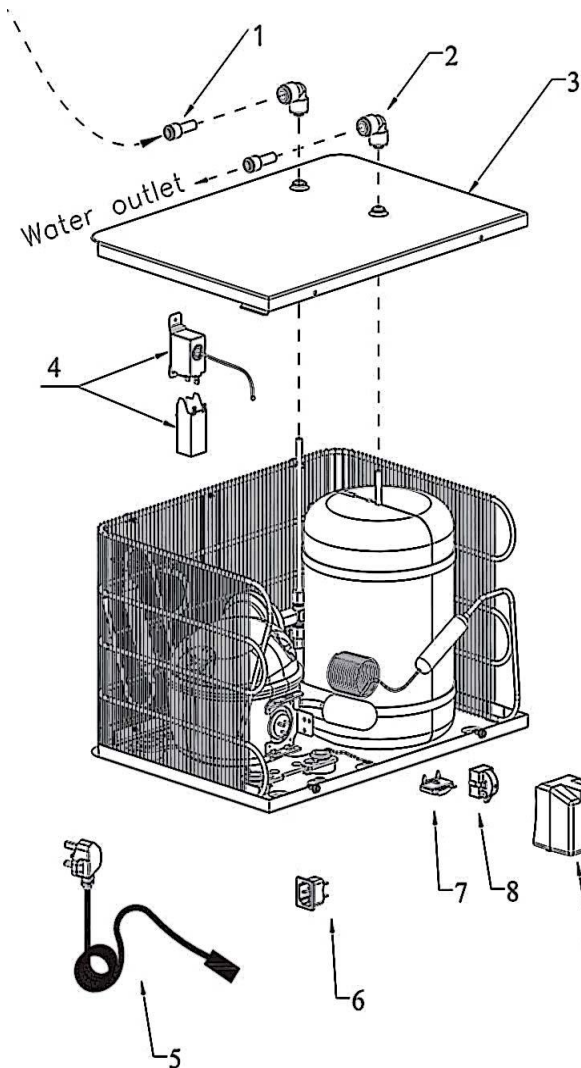
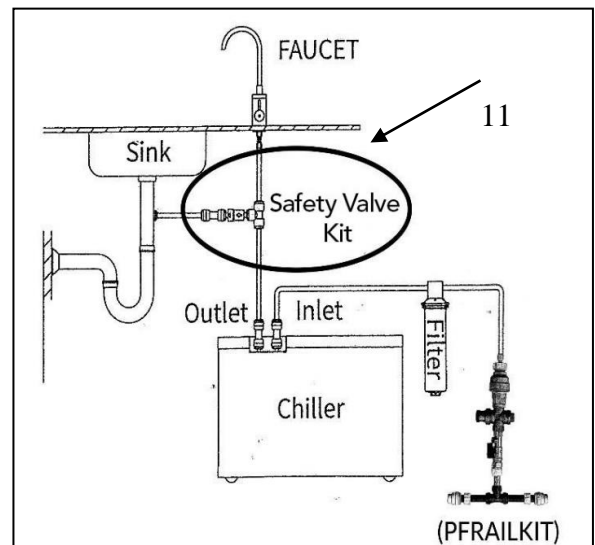


## UC800M/UC800MCL EXPLODED DRAWING & PARTS LIST

No	Description	Code	Remarks
1	3/8" Stem to 1/4" PUSHFIT REDUCER	ADAP3814	
2	1/4" SUPERSEAL to 3/8" PUSHFIT ELBOW	CONE3814SS	1/4" Screw seal
3	TOP PANEL	C100008	
4	THERMOSTAT WITH COVER	C100035	
5a	MAINS LEAD IEC	WB3333	
5b	MAINS LEAD EURO IEC	WB3333E	
6	MAINS SOCKET	C100013	
7	CUTOUT 220V DANFU R600a		Not stocked
8	RELAY 220V DANFU R600a		Not stocked
9	RELAY COVER DANFU R600a		Not stocked
10	REAR PANEL	C100009	
11	SAFETY VALVE KIT	SVKIT	
12	STYLISH CHROME DESIGNER TAP	UC8002	Manual Tap
13	SWAN NECK CONTACT LESS TAP WITH UV SENSOR AND BATTERY PACK	GLASSFILLER CL	For Contact-Less Tap only



### SVKIT



AA First is a division of Circon Ltd : Registered in England 5121722

European HQ: Cedar House  
Grange Farm  
Long Lane  
Newbury  
RG14 2TF

T: +44 (0) 1635 202489  
E: enquiries@aafirst.co.uk  
W: www.aafirst.co.uk

Bureau Français: T: +33 (0) 640650708  
E: lesley@aafirst.co.uk  
W: www.aafirst.co.uk/french/

