

**AQUALITY BOTTLED**

**Important Instructions for all  
Cosmetal Ice bank Coolers !**

**Ice Bank Coolers are very different  
to Direct Chill or Tank Fed Coolers.**

**Read the first two pages of the  
Installation Instructions to ensure  
the system is setup correctly.**

## Cosmetal Installation Guidance

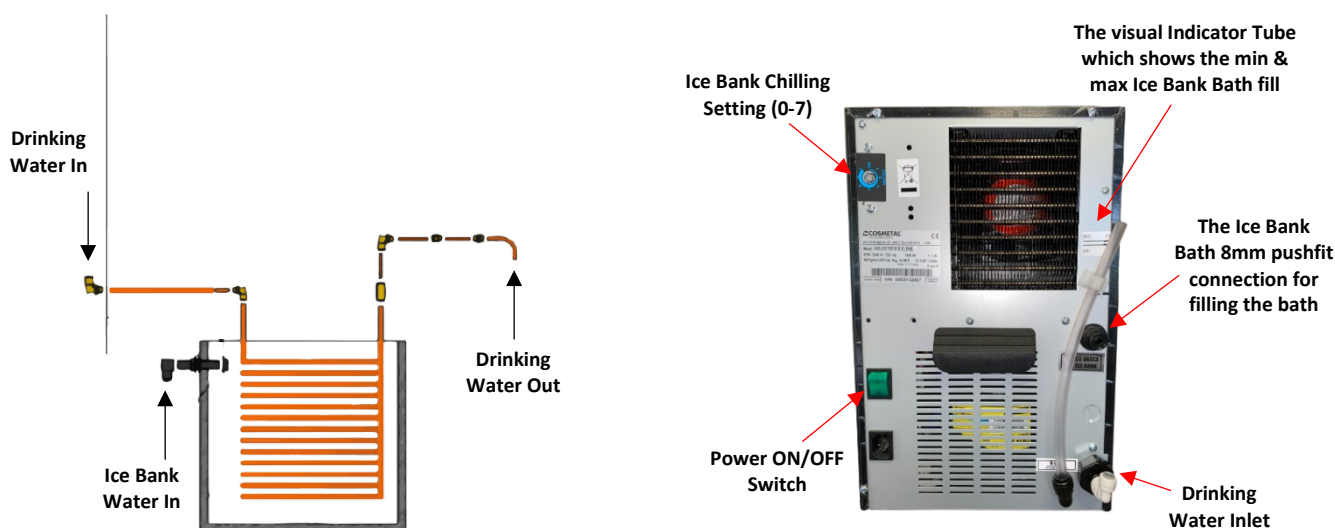
Caution: If the chiller has been lying down or upside down, leave it upright for at least 4 hours before use.

The below instructions are provided for summary guidance purposes for more detailed information please refer to the manual provided with the unit or download from our website.

1. **Select a suitable installation site:** Power within 1 metre, Potable water supply, Flat surface, Drainage in case of the Niagara FS or recessed drip trays, allow space around the cooler for ventilation – IN (Under counter) Models will require ventilation in the cupboard. Ensure you have a minimum of 2 bar water pressure and regulate the mains pressure with the pressure reducing valve to 3 bar.
2. **Connect the plumbing rail (PFRAILKITCOS)** to the mains, follow instructions provided with the kit. If using another kit, ensure you have the correct adapters and tubing before attempting installation. Cosmetal use 8mm fittings (equivalent to 5/16" imperial) on the inlet and 6mm fittings between the IN (under sink) units and the taps. Cosmetal supply the appropriate fittings as above with some 6mm and 8mm tubing. The PFRAILKITCOS plumbing rail has 8mm connections and a Fibredyne filter candle, both of which optimise the flow rate and chlorine removal capacity. Using a PFRAILKIT with Carbon Block Candle, or a PFRAILKITNANO with NANOF Candle requires ¼" diameter pipes. You will need an adapter at the Cosmetal unit's inlet to convert the ¼" to 8mm. The combination of the narrower ¼" pipe and the Carbon Block Candle can affect the flow rate adversely. To mitigate against that you can.
  - Change the Carbon Block Candle for an NANOF Candle which offers higher flow rates and a low pressure drop.
  - Reduce any ¼" pipe length should be as short as possible.
  - Open up the Pressure Regulator to increase the flow if on a low-pressure site.

We recommend you install a **scale removal filter with the Prostream boiler system** in hard water areas. We can supply the Brita C150 filter to facilitate this.

3. **To fill the ice bank;** refer to the manual for the different methods. Connect the pipe to the ice bank inlet and fill. Most models have a **visual indicator tube** on the back of the unit to identify the correct fill level. This tube can also be used to drain the ice bank before moving or relocation. Fill the ice bank to the max level. The Niagara free standing system does not have a visual indicator tube. Connect the drainage hose supplied at the back and drain into a bucket. Connect the incoming water to the ice bank inlet and fill the ice bank until the water runs from the drainage hose. To drain the Niagara ice bank you need to syphon or pump the water out.

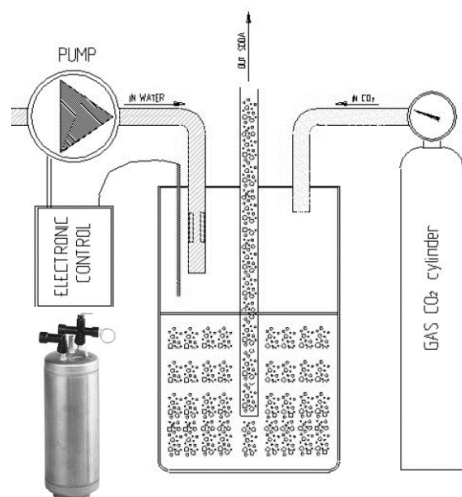


4. **Connect the inlet water supply:**

Disconnect incoming water feed from the ice bank and connect into the 8mm-5/16" water inlet fitting, located on the back of the cooler. Note some models have a 3/4" male BSP fitting, use the parts provide to adapt to 8mm.

5. **Turn the water and power on** and dispense water through all taps. Check for any leaks.

6. **With Gas versions,** connect the CO2 bottle to the CO2 Inlet. The recommended gas pressure should be no greater than 4 bar. Please note the CO2 pressure should be greater than the water pressure. Only turn the gas on after the tank has been filled (see step 5)



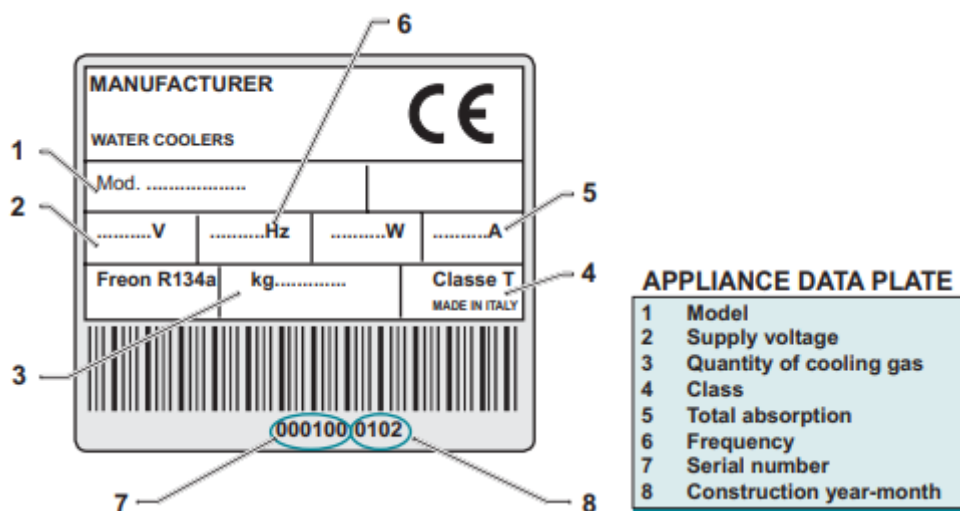
7. **Set the thermostat** we recommend you set the stat to 5 on the mechanical stats. (all models excluding the electronic control versions) Turn the stat clockwise to 5. Do not set to 7 as this could freeze the Ice bank.



8. **Set the thermostat on EC (Electronic Control) versions.** Thermostat settings can be adjusted through the control panel. The LCD panel will display the current setting and we recommend you check this during installation. The default settings are +2 C for the summer months and +2 C for the winter. We recommend you set both to +2C if they are not set like this already. **Failure to set the thermostat correctly could lead to a frozen ice bank and malfunction.**



# Aquality setup



## EN CONFORMANCE STATEMENT

This appliance has been manufactured with suitable materials for use with drinking water. This product was designed, made and put on the market respecting the following conformities: Following EC requirements safety objectives of the 2014/35 UE/LVD;4 Protection requisites of 2014/30/UE EMC.4

## EN 1 BEFORE USING THE APPLIANCE

### 1.1 WARNINGS



In order to use your appliance to its best, we advise reading these instructions carefully as they contain useful information.

- Keep this book for later use.
- When you have removed the packaging, make sure that the appliance is not damaged. Any damage must be reported to your carrier within 24 hours.



**If the machine has been put down or turned upside down, wait for at least 8 hours before putting it into operation**

- Make sure that installation and electrical wiring are carried out by a qualified technician according to the manufacturer's instructions and to the local norms in force. The electrical system must be equipped with an effective earth according to the law (46/90).

### 1.2 GENERAL PRECAUTIONS AND SUGGESTIONS



**Before carrying out any maintenance or cleaning operation, remove the plug from the mains socket.**

- Do not pull on the supply cable in order to remove the plug from the socket.
- When the appliance has been installed, make sure it is not resting on the mains supply cable.



**The manufacturer reserves the right to change the product and its instructions manual without prior notice or updating of previous productions**



Failure to comply with any of these safety regulations could cause fires, electric shocks or damage the machine

**Place of installation**

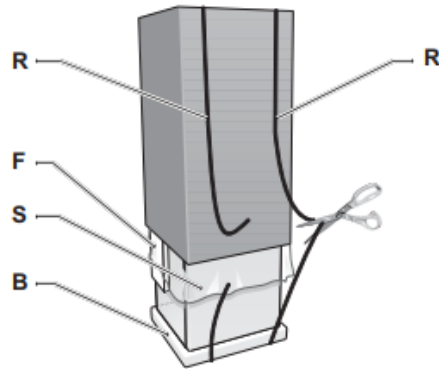
This equipment is intended for domestic and other similar uses, such as:

- Kitchen areas, shops, offices and other work environments
- Rural homes, hotels, motels and other residential buildings
- B&Bs and guest houses
- Catering services and similar retailers.
- Do not place the machine near inflammable solvents such as alcohol or diluents.
- Do not install the machine in excessively damp and dusty places, exposed to direct sunlight, outdoors or near to heat sources.  
Machine installation in these places could cause fires or electric shocks.
- The appliance is not suitable for use in open places.

**Electric power supply**

- Do not connect or disconnect the machine from the socket with wet hands.
- Insert the plug into the wall socket firmly.
- Do not damage, modify, stretch, bend or twist the power cable.  
Do not place heavy objects on the power cable.
  
- Do not connect the machine to a socket to which other equipment is connected (extensions, 2 or 3 plug adaptors, etc.)
- Do not use the machine if the power cable is tied or knotted.
- If smoke, unusual smells or strange noises are found coming from the machine, disconnect it immediately from the socket and contact the local retailer or technical service assistance.  
Use of the machine in these conditions could cause fires or electric shocks.
- Periodically disconnect the machine from the socket and clean the plug and socket with a dry cloth.  
If the machine is connected in a place exposed to dust, smoke or high humidity, the dust accumulated on the plug will absorb humidity and this could alter the insulation and trigger a fire.
- Do not spray water on the device; this could cause electric shocks or fires.
- The appliance must not be installed where water jets can be generated.
- Use a damp cloth to clean the machine. Do not use inflammable solvents such as alcohol, benzene or diluents. If inflammable substances come in contact with the electrical components inside the machine, they can cause fires or electric shocks.
- Before cleaning the machine, switch it off and disconnect it from the socket.  
Not being switched off or accidental switching on during cleaning could cause injuries to persons or damages to the machine.
- The equipment must not be used by children under 8 years of age or by people with physical, sensory or mental health problems, or people who lack the experience or the necessary knowledge, unless under surveillance and not before they have received the relevant instructions on how to use the equipment safely and they understand the inherent dangers.  
Cleaning and maintenance for which the user is responsible must not be performed by children unless they are older than 8 yrs and supervised by an adult.

1



## EN 2 REMOVAL OF PACKAGING

- Place the appliance in its installation site (chap. 5 - INSTALLATION).
- Cut straps **R** and remove carton **C**, polystyrene **F** and external plastic bag **S**.
- Do away with plastic bags **S** and polystyrene **F** immediately as they are a danger for children.
- Once the appliance is free from its packaging, remove the base **B**.

### 2.1 ADVICE ON HOW TO PROTECT THE ENVIRONMENT

#### Packaging

Packaging material is 100% recyclable.

For its disposal follow your local regulations.

The packaging material (plastic bags, polystyrene parts etc.) must be kept out of children's reach as it could be dangerous.

#### Information

This appliance does not contain CFCs (the cooling circuit contains a gas that is not harmful to the ozone layer).

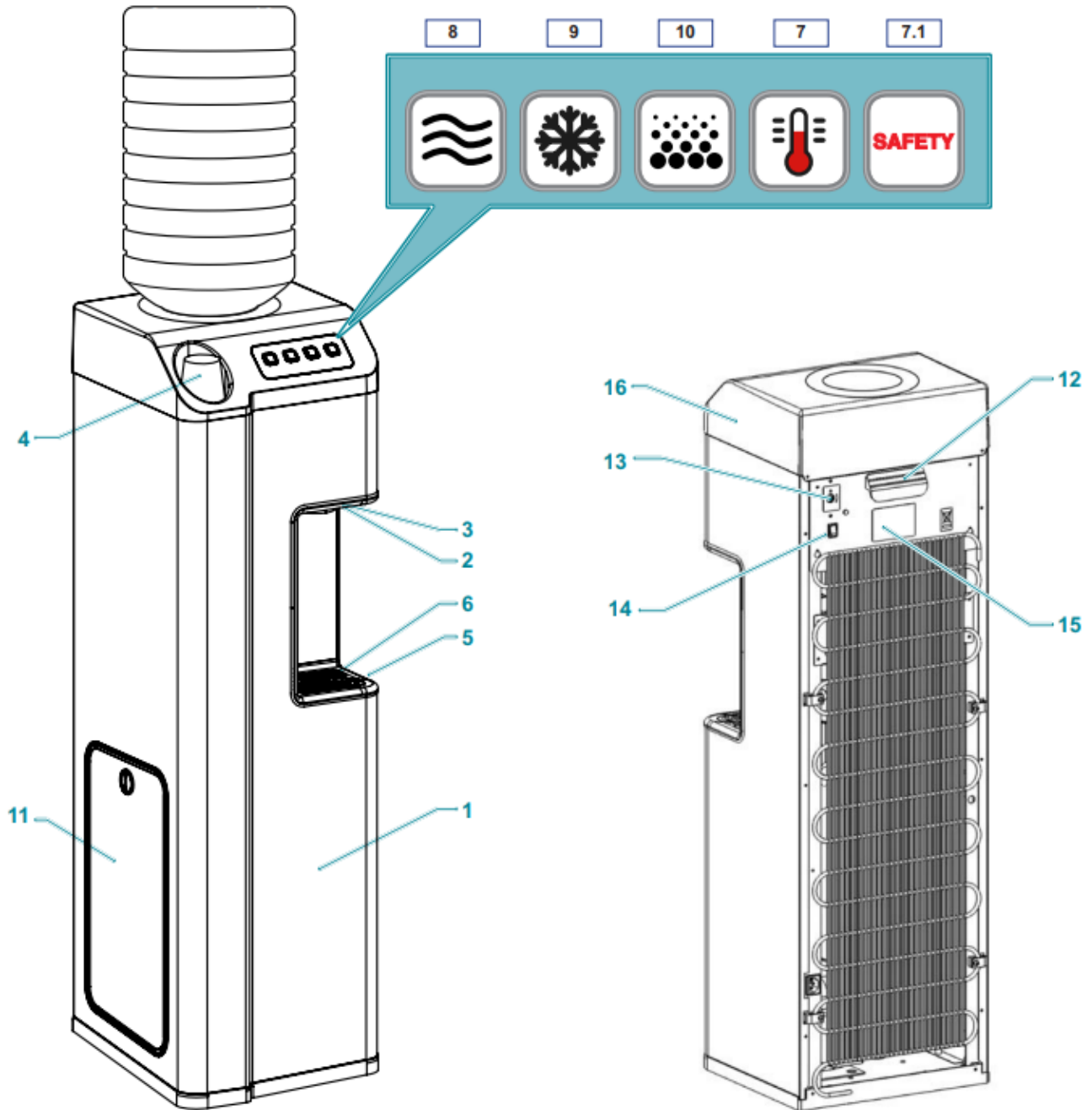
For further details, please refer to the serial data plate on the appliance.**Produkt**

This appliance is marked according to the European directive 2012/19/EC on Waste Electrical and Electronic Equipment (WEEE). By ensuring this product is disposed of correctly, you will help prevent potential negative consequences for the environment and human health, which could otherwise be caused by inappropriate waste handling of this product.




The symbol on the product, or on the documents accompanying the product, indicates that this appliance may not be treated as household waste. Instead it shall be handed over to the applicable collection point for the recycling of electrical and electronic equipment.

Disposal must be carried out in accordance with local environmental regulations for waste disposal. For more detailed information about treatment, recovery and recycling of this product, please contact your local city office, your household waste disposal service or the shop where you purchased the product.



### EN 3 DESCRIPTION OF THE APPLIANCE

 has been designed to offer maximum hygiene and function of use, together with an innovative design. It supply large quantities of hot and cold water: It must always be connected to a water mains of drinkable water and can be fitted with special filtering kits it comes with an internal cooling system, able to provide refrigerated water at 8÷12°C.

- 1 **Structure**
- 2 **Distribution nozzle positioned in a protected area**
- 3 **UV safety system (optional)**  
provides protection against bacteria in the water dispenser area
- 4 **Cup container:** encased in the unit, it offers greater protection against dust and foreign bodies.

- 5 **Water collection tray**  
removable and provided with red indicator 6 (full tray).
- 7 **Hot water dispenser pushbutton:**  
with safety unit 7.1 which prevents accidental start (Version ACH - CHWG).
- 8 **Button for water at room temperature**
- 9 **Cold water button**
- 10 **Sparkling water button**
- 11 **Space for CO2 cylinder (Version ACWG - CHWG)**
- 12 **Handle**
- 13 **Cold water thermostat**
- 14 **Hot water switch (Version ACH - CHWG)**
- 15 **Appliance data plate (ID tag)**
- 16 **Top cover**

## GB 5 INSTALLATION

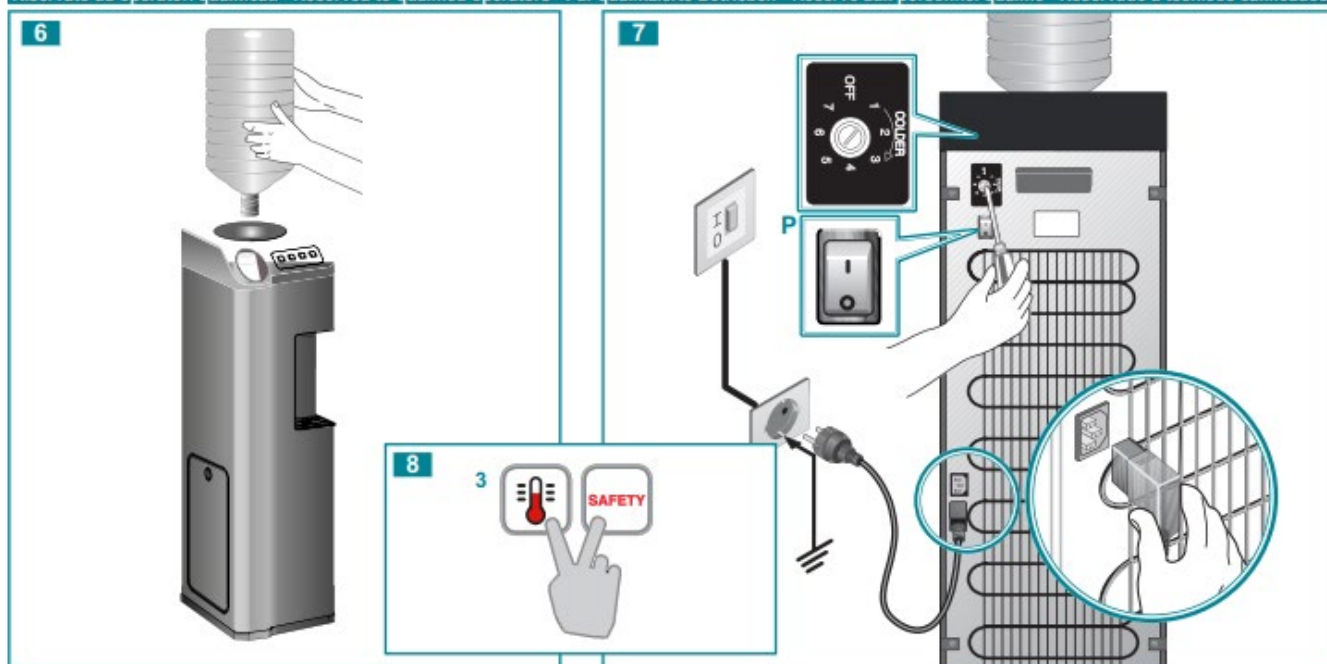
- Do not install the machine in excessively damp and dusty places, exposed to direct sunlight, outdoors or near to heat sources.  
Machine installation in these places could cause fires or electric shocks.
- The appliance is not suitable for use in open places.
- The appliance must not be installed where water jets can be generated.

### 5.1 POSITIONING THE UNIT

- When handling and moving the cooler, use the handle recessed into the cross support on the back of the unit.
- To ensure proper ventilation, position the cooler at a distance of at least 6-7 cm from the wall.

Upon the first installation, or after the water cooler has been left unused for an extended period of time, or whenever necessary, use a hydrogen peroxide-based solution for the hygienic cleaning of the water cooler.

Riservato ad operatori qualificati - Reserved to qualified operators - Für qualifizierte Betrieben - Réservé aux personnel qualifié - Reservado a técnicos calificados





## EN 5 INSTALLATION

### 5.2 INSERTING THE BOTTLE

- Carefully insert the bottle (turned upside-down) into the cooler and push until the cap opens. The water will then begin to flow into the cooler tank (fig. 5).

**⚠ The bottle must be dry, otherwise it could slip. When the bottle is full, it is quite heavy.**

### 5.3 ELECTRICITY CONNECTION

Connect the machine to a mains electrical network protected by a circuit breaker with a sensitivity equal to or less than 30 mA.

Connection to the mains electricity supply is carried out by connecting the plug to a mains socket (fig.7).

The supply socket must be equipped with an efficient earth plate and it must be sized for the load of the appliance (see technical characteristics). Make sure that the mains voltage corresponds with what is specified on the data plate.

Make sure that there is an omnipolar switch above the socket with a minimum contact break of 3 mm protected by fuses of suitable amperage for the absorption of the appliance itself (see technical characteristics and data plate).




- Turn the screw of the cold water regulator F clockwise by 1/2 a turn (or 180°) (fig.7).

Only after the pump has stopped should the CO2 cylinder be mounted, as indicated below - "6.2 CONNECTING THE CO2 GAS CYLINDER (CARBON DIOXIDE)".

## EN 6 STARTING

### 6.1 USE

**⚠ Warning! Before using the machine proceed with the sanitation (see relative paragraph)**  
**⚠ Warning! If the appliance has been laid down or turned upside down, you should wait at least 8 hours before starting it.**

- Press the sparkling water button  until all the remaining air is eliminated from the circuit (ACWG-CHWG models).
- Repeat the operation with the cold water  environment  button

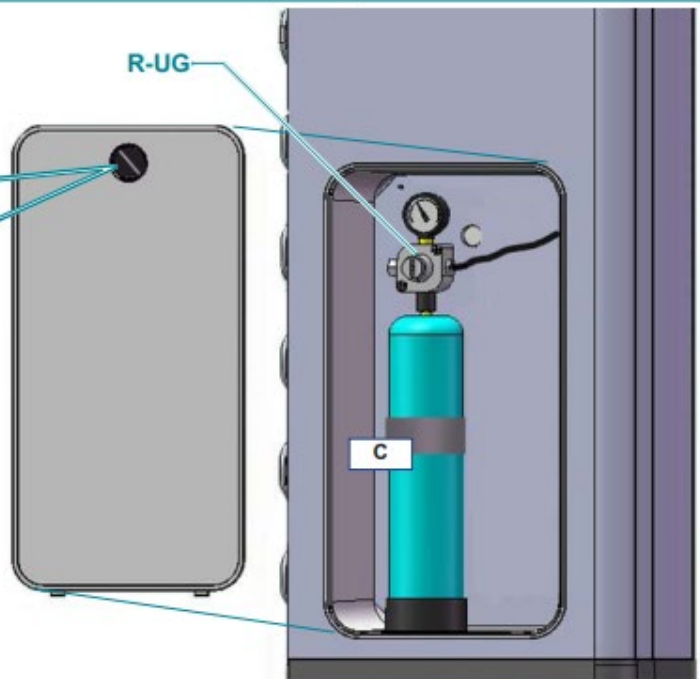
### 6.2 STARTING WITH HOT WATER

**⚠ Fill the hot water reservoir completely (Version ACH - CHWG) pushing on red button 3+SAFETY, until the flow of water becomes constant (fig.8).**

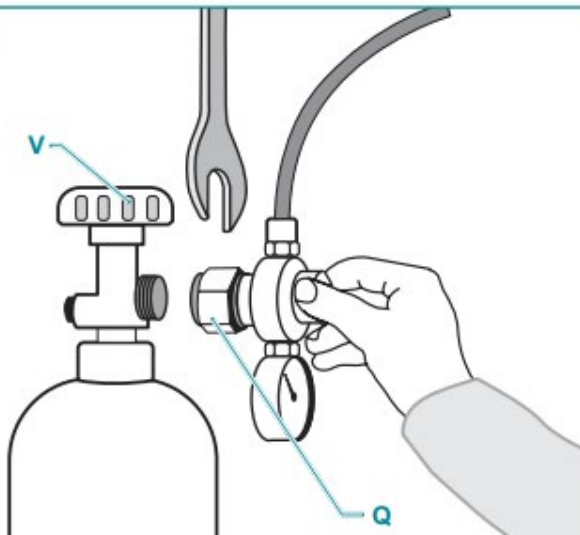
- Put the switch P "ON".

Riservato ad operatori qualificati - Reserved to qualified operators - Für qualifizierte Betrieben - Réservé aux personnel qualifié - Reservado a técnicos calificados

9

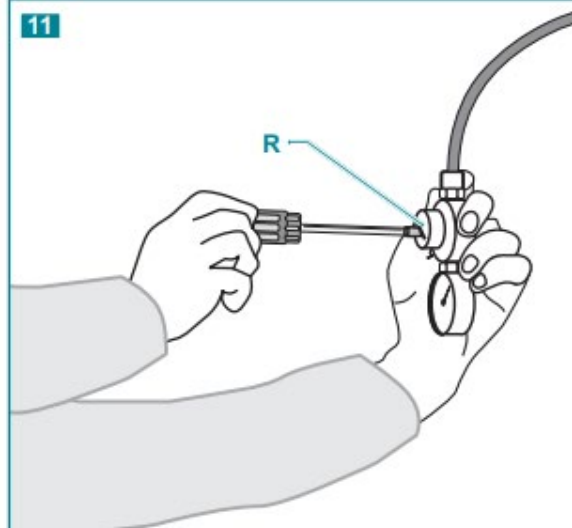


10



N11604-160

11



N11604-170

**EN 6 STARTING**

**6.3 CONNECTING THE CO2 GAS CYLINDER (CARBON DIOXIDE) (ACWG-CHWG)**

- Open the door (fig. 9) in order to access the compartment for the CO<sub>2</sub> cylinder.
  - With disposable cylinders (non-rechargeable), proceed as follows:
    - Screw the cylinder onto the pressure reducer (R-UG).
- The cylinder is equipped with a sealing valve that will open when it is mounted onto the reducer valve and will close automatically when it is disconnected. The screw for regulating the reduction valve has already been calibrated to the optimal pressure setting (approximately 3 bar). In any case, the quantity of gas supplied can be increased by turning the screw in the clockwise direction, or decreased by turning it in the anti-clockwise direction (fig. 11). Disposable CO<sub>2</sub> cylinders with a capacity of 600 grams can charge approximately 120 liters of water.



**Caution!** when using non-rechargeable gas cylinders, carefully follow the instructions contained on the label located on the cylinder itself.

With rechargeable cylinders (B-RIC), proceed as follows:



**NOTICE!** Rechargeable cylinders are empty when supplied. Have the cylinder filled with gas by the nearest authorized distributor. Ask only for CO<sub>2</sub> (carbon dioxide) for "food products."

- Paying special attention to the seal, screw the pipe union on the pressure reduction valve (R-RIC) to the connector on the cylinder, using a monkey wrench (fig. 10).
- Open the valve on the cylinder by turning it in the clockwise direction (fig. 11). The screw for regulating the reduction valve has already been calibrated to the optimal pressure setting (approximately 3 bar). In any case, the quantity of gas supplied can be increased by turning the screw in the clockwise direction, or decreased by turning it in the anti-clockwise direction. Rechargeable CO<sub>2</sub> cylinders can charge approximately 140 liters of water.
- Once the cylinder is positioned and connected with the T tube, use the C belt to fasten the cylinder only (fig. 9).

**CAUTION!** After transporting, storing and using CO<sub>2</sub> cylinders, follow local regulations concerning their use.

**EN 6 STARTING**

**6.4 ADVICE ON USING THE APPLIANCE FOR CARBONATED WATER**



To guarantee the correct operation of the pump in time, the appliance must always be operated with water in the cooling circuit.




The new "NO WATER" system only allows sparkling water to be supplied when the tank has been filled and stops the supply when the water in the tank is about to finish.

The quality of the gas-water mixture also depends upon the temperature of the water. therefore, when the unit is installed, wait until the water has been cooled sufficiently.

After about 20 minutes, cold water (both carbonated and natural) can be dispensed by using the appropriate buttons.

When installing or replacing the CO<sub>2</sub> cylinder or when the water supply to the cooler is interrupted, water bubbles can form in the carbonation unit. These air bubbles can reduce the carbonation quality of the water, therefore, they must be eliminated:

- Turn off the CO<sub>2</sub> to the unit (for the disposable cylinders, unscrew the cylinder from the reduction valve).
- Press the water dispenser pushbutton : you will hear the compressed CO<sub>2</sub> gas come out instantly.
- Open the CO<sub>2</sub> delivery valve again (for the disposable cylinder, screw it back onto the reduction valve).

**EN 7 ROUTINE MAINTENANCE**

**7.1 HYGIENIC CLEANING**

The hygienic cleaning must be performed periodically or after a period of inactivity. This operation should be performed by a qualified technician.

**PROCEDURE A**


*To be followed during the first installation:*

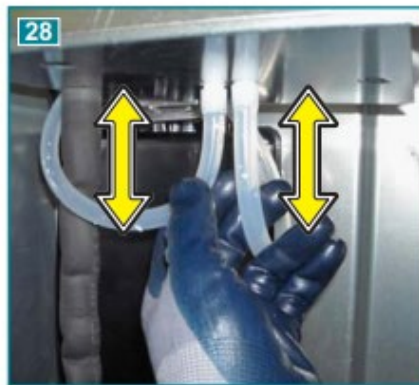
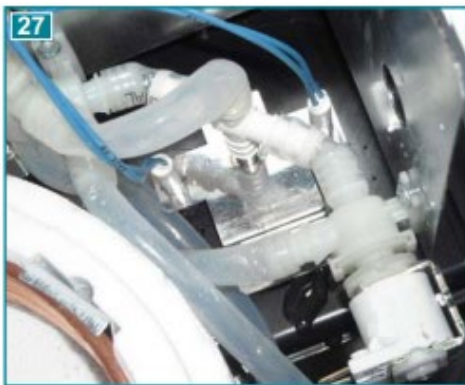
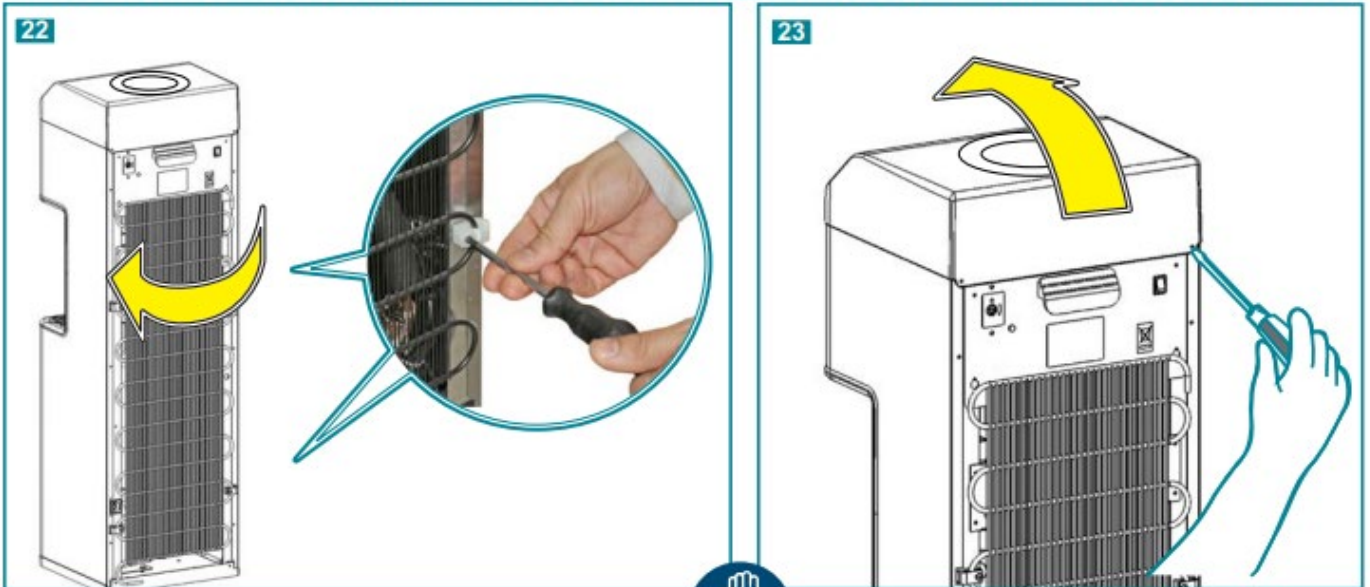
- 1 Disconnect the power cable from the socket.
- 2 remove the water bottle (Fig. 17).
- 3 Load an empty bottle with 5 l of drinking water + 5% (250 ml) of sanitising product (hydrogen peroxide)
- 4 Drain the sanitising solution from all the outlets, alternating the dispensing cycles
- 5 Once the solution ends, leave the machine idle for 20 minutes
- 6 Load a new bottle of mineral water onto the machine and allow 2 l of water to flow in each dispensing cycle.

**PROCEDURE B**

*To be performed every 6 months:*

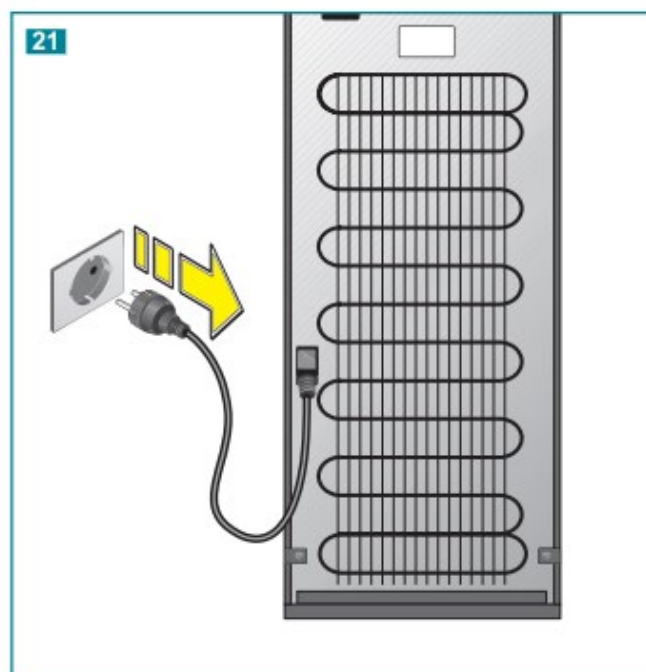
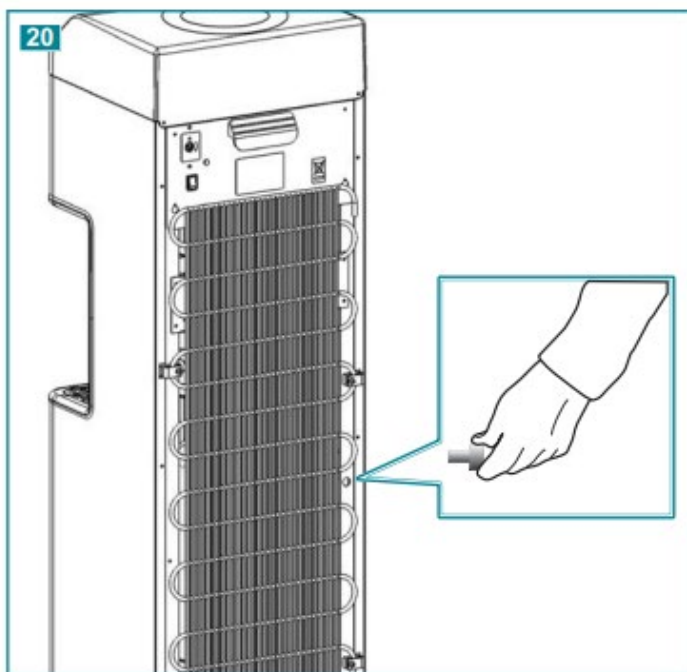
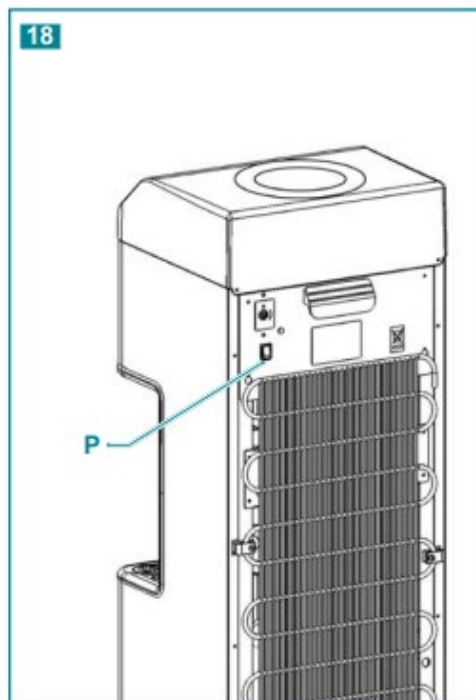
The silicone tubes are work-hardened by the calcium in the water so they should be changed regularly.

- 1 Switch off hot water switch **P** (Fig. 18) and press "H+ Safety" (Fig.19) to drain at least 5 litres from the hot water tank to eliminate the hot water (ACH - CHWG version).
- 3 Empty the hot water tank (ACH - CHWG version) by removing the cap (Fig. 20) and regulating the pressure with the "H+SAFETY" keys
- 4 Empty the cold tank by means of the dispenser pushbutton 
- 5 Disconnect the machine from the electrical mains (Fig.21).



**EN 7 ROUTINE MAINTENANCE**

- 6 Open the rear grid (Fig. 22).
- 7 Uncrew and and remove the lid (Fig. 26).
- 8 Wear disposable gloves.
- 9 Disconnect the level probes from the Hygienic system (ACWG-CHWG) (Fig.24)
- 10 Lift the tank's lid, the separator and the tank in order to have access to the tubes that need replacing ( Fig. 27-28- 29).
- 11 Replace the tubes by disconnecting them from the electro-magnetic valves and from the connections under the tank (Fig. 30-31).
- 12 Join the new tubes making sure they are not squashed.
- 13 Push the tank downwards until it rests on the isolating material (Fig. 32) and the separator (Fig.33)
- 14 Place the lid back on the tank and on the machine.



## EN 7 ROUTINE MAINTENANCE

### 7.1 HYGIENIC CLEANING

The hygienic cleaning must be performed periodically or after a period of inactivity.  
This operation should be performed by a qualified technician.

#### PROCEDURE A



##### To be followed during the first installation:

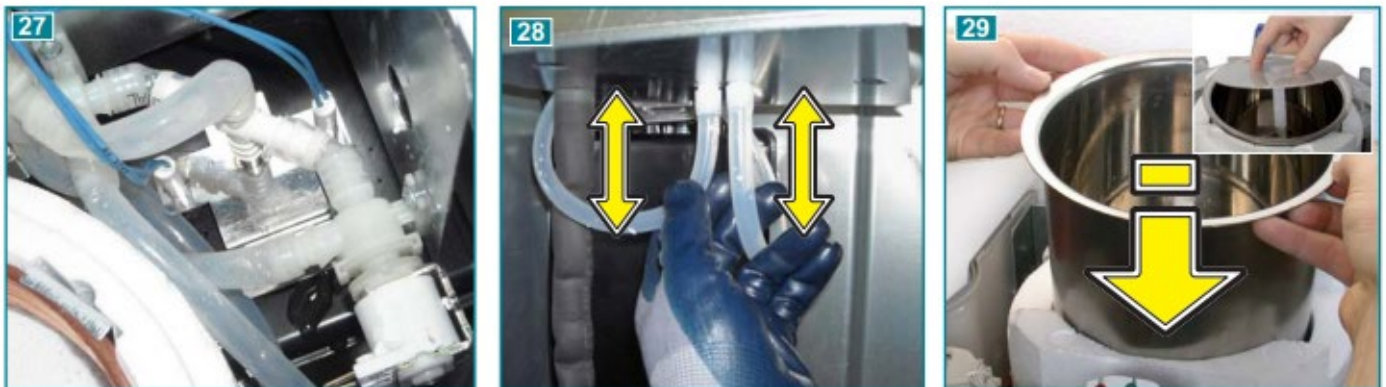
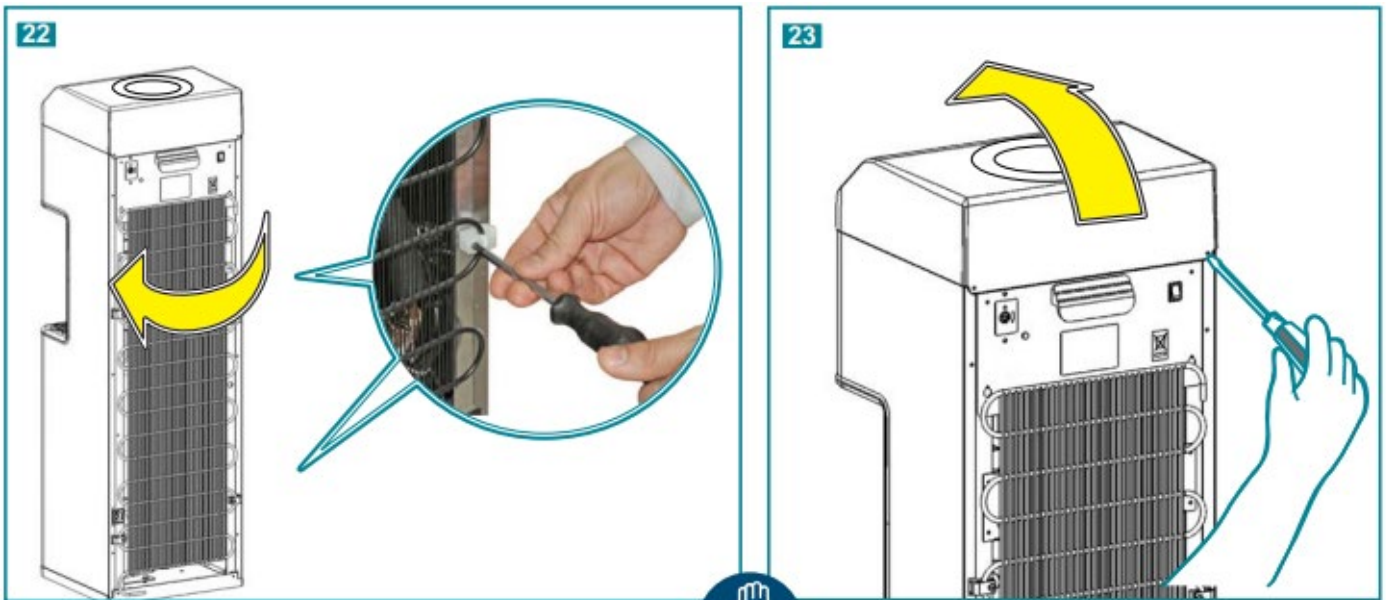
- 1 Disconnect the power cable from the socket.
- 2 remove the water bottle (Fig. 17).
- 3 Load an empty bottle with 5 l of drinking water + 5% (250 ml) of sanitising product (hydrogen peroxide)
- 4 Drain the sanitising solution from all the outlets, alternating the dispensing cycles
- 5 Once the solution ends, leave the machine idle for 20 minutes
- 6 Load a new bottle of mineral water onto the machine and allow 2 l of water to flow in each dispensing cycle.

#### PROCEDURE B

##### To be performed every 6 months:

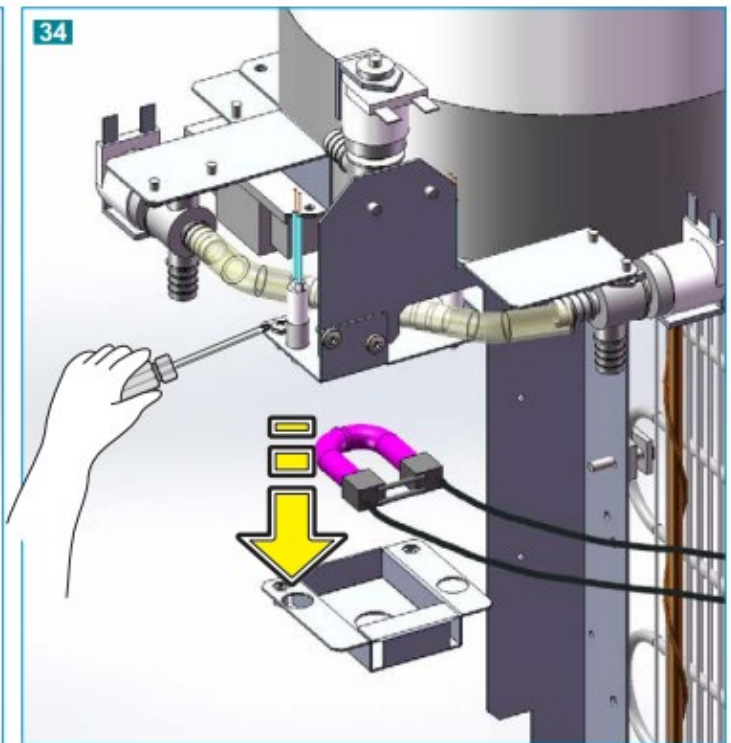
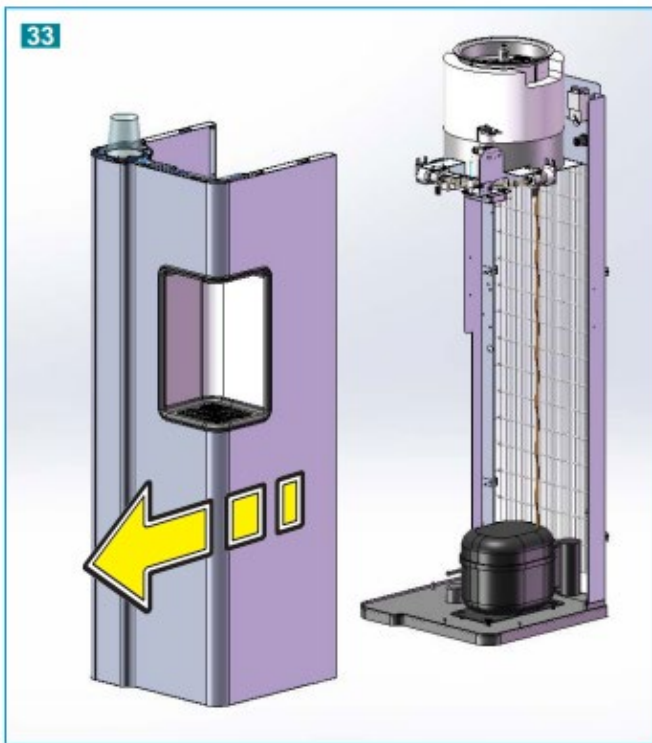
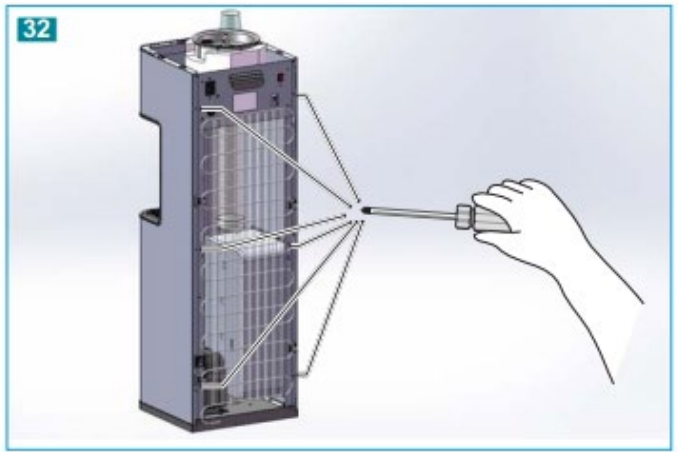
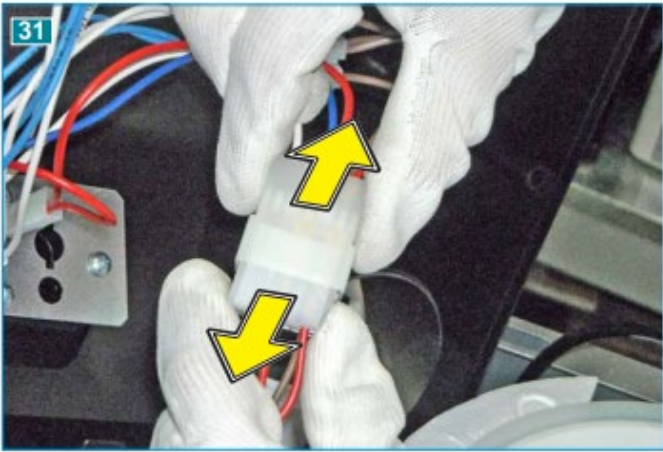
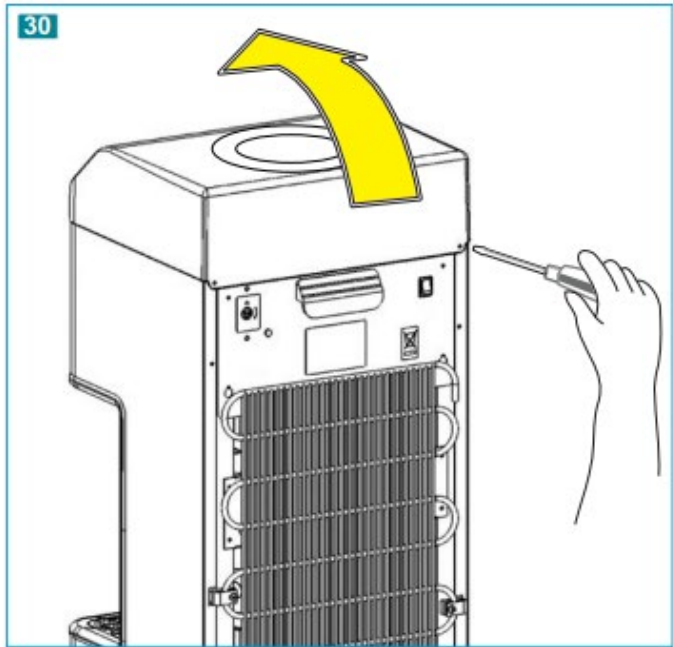
The silicone tubes are work-hardened by the calcium in the water so they should be changed regularly.

- 1 Switch off hot water switch **P** (Fig. 18) and press "H+ Safety" (Fig.19) to drain at least 5 litres from the hot water tank to eliminate the hot water (ACH - CHWG version).
- 3 Empty the hot water tank (ACH - CHWG version) by removing the cap (Fig. 20) and regulating the pressure with the "H+SAFETY" keys .
- 4 Empty the cold tank by means of the dispenser pushbutton  - 
- 5 Disconnect the machine from the electrical mains (Fig.21).



## EN 7 ROUTINE MAINTENANCE

- 6 Open the rear grid (Fig. 22).
- 7 Uncrew and remove the lid (Fig. 26).
- 8 Wear disposable gloves.
- 9 Disconnect the level probes from the Hygienic system (ACWG-CHWG) (Fig.24)
- 10 Lift the tank's lid, the separator and the tank in order to have access to the tubes that need replacing ( Fig. 27-28- 29).
- 11 Replace the tubes by disconnecting them from the electrocomagnetic valves and from the connections under the tank (Fig. 30-31).
- 12 Join the new tubes making sure they are not squashed.
- 13 Push the tank downwards until it rests on the isolating material (Fig. 32) and the separator (Fig.33)
- 14 Place the lid back on the tank and on the machine.





It is recommended to take the opportunity to replace the UV bulb when silicon tubes are changed. (previous chap.)



Warning! direct irradiation of the UV lamp is dangerous both for the eyes and for the skin

**How to replace the lamp:**

- 1 Unplug the machine from the mains
- 2 Unscrew the screws and remove the cover of the machine (fig. 30).
- 3 Disconnect the lid from the rest of the machine (Fig. 31)
- 4 Unscrew the fasteners to remove the cooler housing (fig.32-33)
- 5 Unscrew the fasteners to open the lamp box and replace the lamp (fig.34)
- 6 Reassemble all components making sure there is no dripping