





PRO-STREAM TAPPLUS 5515

Ambient | Chilled | Chilled/Carbonated | Hot Water

Specifications

Product	Hourly (Ltrs)	Instant Draw Off (Ltrs)	Ice Bank	Undersink Boiler	Dispensing Height					Requires Gas	Dimensions W x D x H cm
PRO-STREAM TAPPLUS 5515 HC WG (CEPROIN5515)	55ltr/h Hot Water, 15ltr/h Chilled Water, 15ltr/h Chilled Sparkling Water + Ambient Water	5ltr Hot Water, 3ltr Chilled Water and Chilled Sparkling Water + Ambient Water	H2OMY IN 15 IB AC WG	PRO-STREAM Undersink Boiler	23cm	✓	✓	✓	✓	REGCO2	13.1 x 21.2 x 25.5 (TAP) 24.2 x 31.5 x 40.7 (Boiler) 26 x 30 x 40.7 (H2OMY) 12.2 x 12.8 x 8.6 (Drip Tray)



Description

- The PRO-STREAM consists of a three way touch pad electronic TAP connected to an Undersink H2OMY IN Chiller and a Boiler.
- Has the capacity to dispense Ambient, Chilled, Chilled Sparkling and Hot Water.
- The PRO-STREAM Ice Bank Chiller delivers 15ltr/hour of Chilled or Chilled Sparkling Water and 3ltr Chilled Water and Chilled Sparkling Water + Ambient Water.
- The PRO-STREAM boiler delivers 55 ltr/hour of Hot Water and 5ltr Instant Draw Off.
- Includes safety lock feature when dispensing Hot water.
- 23cm Dispensing Height makes it suitable for filling bottles.
- The PRO-STREAM comes with a VRG7 Drip Tray.
- The PRO-STREAM TAP is an elegant design in mat Stainless Steel.

Accessories



We recommend the BPFRAILKIT Installation kit to connect the PRO-STREAM to the mains, consists of compression fittings, a non-return valve, a pressure limiting valve, a water block and a 1 micron carbon block filter (for the cold side) and the Brita C150 Scale removal filter with head assembly to protect the boiler unit from limescale build up. Although more expensive than standard Carbon Filters, the savings is in avoiding regular de-scaling. ATTENTION: Carbon Block Filters with Siliphos beads - often mis-sold as Scale Filters - do not work for hard scale. We will also supply 2x Stem51614 to enable connection from 1/4" to 5/16" as used on the PRO-STREAMS hot and cold inlets.



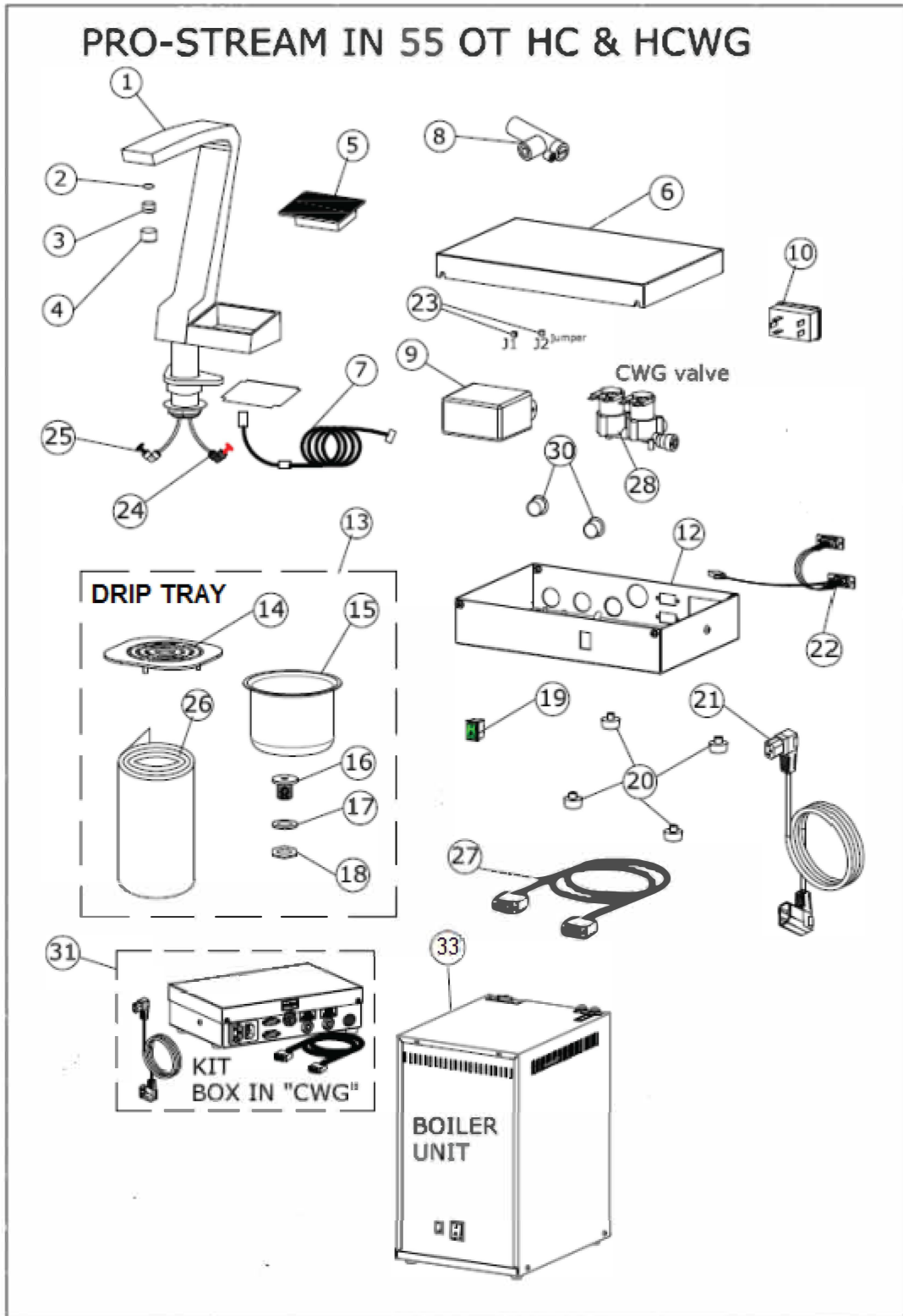
The AA GREEN Filter range consists of a multiple reusable Filter Housing and a choice of two Filter Candles which can both be recycled with Household Waste. The standard filter used is a Carbon Block candle to remove the taste and odour of chlorine. The NANOFILTER Candle will also remove Cryptosporidium, Pseudomonas E Coli, Giardia and at the same time significantly improve the water flow rate.



The Carbonator of the PRO-STREAM requires a Regulator to connect to the CO² Cylinder. Our 600cc one way CO² Containers can produce up to 9ltr of carbonated drinks.

PRO-STREAM HOT, COLD AND SPARKLING (KIT)

Technical Diagram



PRO-STREAM HOT, COLD AND SPARKLING (KIT)

HYDRAULICS DIAGRAM

