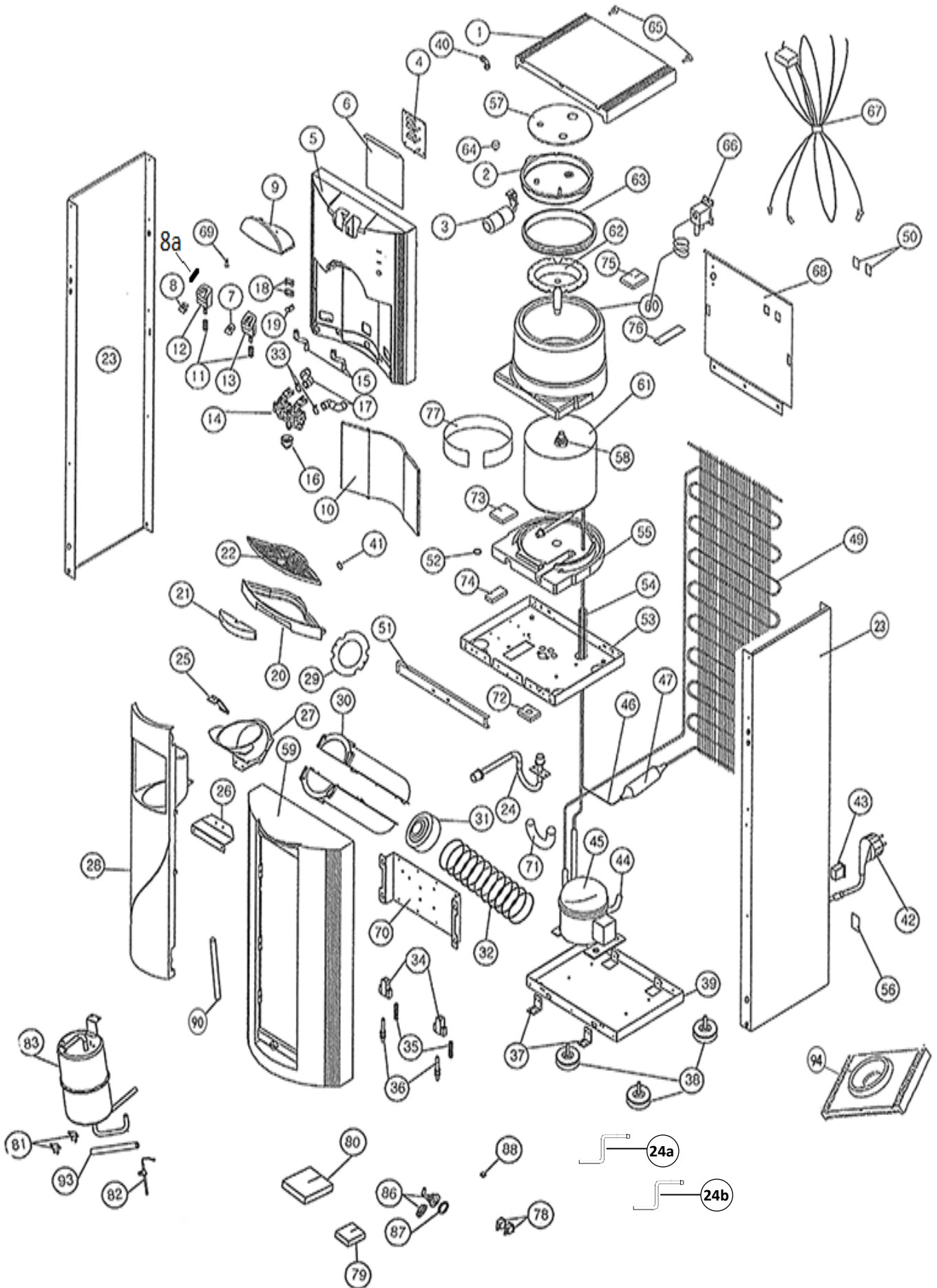


ArcticStar 55 Water Cooler Parts List



NO.	DESCRIPTION	CODE	REMARKS
1	Top Cover POU	WB3301	
2,3,57,63,64	Tank Lid Complete	WB3302	
4	PCB	WB5504	
4	PCB (H)	WB5504H	Hot
5,10,69	Upper Front Panel	WB5505	
5,10,69,88	Upper Front Panel	WB5505H	Hot
5,10,69	Upper Front Panel NEW	WB5505N	New from SN AA24033151R
5,10,69,88	Upper Front Panel NEW	WB5505HN	Hot - New from SN AA24033151R
6	PCB Film	WB5506	
7,11,13	Cold Button Complete	WB5507	
8,11,12	Ambient Button Complete	WB5508	
8, 8A,11,12	Hot Button Complete	WB5508H	Hot
8A	Hot Button Safety Spring	Not sold separately	Part of WB5508 Hot
9	Deco Upper Front	WB5509	
10	Blue Splash Back	WB5510	
11	Push Button Spring	Not sold separately	Part WB5507, WB5508 & WB5508H
12	Push Button Body Left	Not sold separately	Part of WB5508 & WB5508H
13	Push Button Body Right	Not sold separately	Part of WB5507
14	Push Button Tap Assembly	WB5514	
15	Push Button Rod	WB5515	
16	Hygiene Guard	WB5516	
17	Silicone Tube	WB5517	
18	Led Window	WB5518	
19	Eco Photosensor Window	WB5519	
20,21,22,41	Drip Tray Complete	WB552022	Compatible with all WB5505x Panels
20,21,22,41	Drip Tray Complete New	WB552022N	Compatible with WB5505N & WB5505HN
23	Side Panel Floor Standing	WB3305	
23	Side Panel Tabletop	WB3304N	Tabletop
23	Side Panel Tabletop for serial numbers ending in "R"	WB3304NR	For serial numbers ending in "R"
24	Ambient Supply Pipe	WB5524	
24A	Hot Supply Pipe	WB5524H	
24B	Hot Tank Supply Pipe	WB5524HT	
28	Cup Dispenser Complete	WB3327C	
28A	Lower Facia Blanking Panel	WB332733	
34,35,36	Low Panel Fixing Spring	WB3308	
37	Fixing Spring Bracket	WB8816	

AA First is a division of Circon Ltd: Registered in England 5121722

European HQ:

Cedar House
 Grange Farm
 Long Lane
 Newbury
 RG14 2TF

T: + 44 (0) 1635 202489
 E: enquiries@aafirst.co.uk
 W: aafirst.co.uk

French HQ:

T: +33 (0) 674437445
 E: derek@aafirst.eu
 W: aafirst.fr
 W: aafirst.de
 W: aafirst.eu



NO.	DESCRIPTION	CODE	REMARKS
38	Adj. Foot Floor Standing	WB3326	
39	Baseplate Floor Standing	WB3310	
39	Baseplate Tabletop	WB3310T	
42	Mains Lead	WB3333	
42	Mains Lead Euro	WB333E	
43	Mains Socket	WB3348	
44	Relay	WB3355	
44	Compressor Relay for serial numbers ending in "R"	WB3355NR	For serial numbers ending in "R"
46	Capillary	WB4452	
47	Filter/Dryer	WB4453	
50	Switch Stickers	WB5550	
51	Support Bracket	WB5551	
52	New Cold Tank Seal	WB3331N	
53	Tank Shelf	WB3339	
58	New Cold Tank Nut	WB3341N	
59	Lower Front Panel	WB3307	
60	Cold Tank Insulation	WB3346	
62	Tank Baffle	WB3303	
63	Tank Lid Seal	WB3350	
65	Top Cover Fixing	WB3325	
66	Cold Thermostat	WB3320	
66	Cold Thermostat for serial numbers ending in "R"	WB5566R	For serial numbers ending in "R"
67	Wiring Loom Cold	WB5567	
67	Wiring Loom Hot	WB5567H	Hot
68	Rear Panel	WB3309	
69	Screw For Deco Upper Front	WB5569	
70	Filter Bracket	WB3334	
71	Pipe Insulation	WB5571	
72	Prevent Pad - Inlet	WB5572	
73	Foam Pad – Cold Pipe	WB5573	
74	Foam Pad – Cold Pipe	WB5574	
75	Foam Pad – H/A Pipe	WB5575	
76	Foam Pad – H/A Pipe	WB5576	
77	Foam Pad – Cold Coil	WB5577	
78	Heater Switch	WB3322	
79	Foam Pad – Tank Hole	WB5579	
80	Foam Pad – Tank Hole	WB5580	
81	Bi-Metal Hot Stats	WB5581	

AA First is a division of Circon Ltd: Registered in England 5121722

European HQ:

Cedar House
Grange Farm
Long Lane
Newbury
RG14 2TF

T: +44 (0) 1635 202489
E: enquiries@aafirst.co.uk
W: aafirst.co.uk

French HQ:

T: +33 (0) 674437445
E: derek@aafirst.eu
W: aafirst.fr
W: aafirst.de
W: aafirst.eu



NO.	DESCRIPTION	CODE	REMARKS
82	Hot Temp Control	WB5582	
82a	Hot Temp Control T/T	WB5582T	Tabletop
83	Hot Tank Complete	WB5583N	Replaces WB5583
83a	Hot Tank Tabletop Complete	WB5583TN	Replaces WB5583T
86	Air Vent Assy	WB5586	
87	Air Vent Gasket	WB5587	
88	Touch Button Foam Pad	WB5588	
90	Hot Feed Silicone Pipe	WB5590	
90a	Hot Feed Silicone Pipe T/T	WB5590T	Tabletop
92	Element/Stat Cable Set for FS Hot Tank New	WB5595N	
92a	Element/Stat Cable Set for TT Hot Tank New	WB5595TN	Tabletop
93	Hot Tank Vent Hose FS & TT	WB5593	
94	Bottle Top Cover Complete	WB3335	

AA First is a division of Circon Ltd: Registered in England 5121722

European HQ:

Cedar House T: + 44 (0) 1635 202489
 Grange Farm E: enquiries@aafirst.co.uk
 Long Lane W: aafirst.co.uk
 Newbury
 RG14 2TF

French HQ:

T: +33 (0) 674437445 T: +33 (0) 640650708
 E: derek@aafirst.eu E: lesley@aafirst.eu
 W: aafirst.fr W: aafirst.fr
 W: aafirst.de W: aafirst.de
 W: aafirst.eu W: aafirst.eu



Quality - Reliability - Integrity